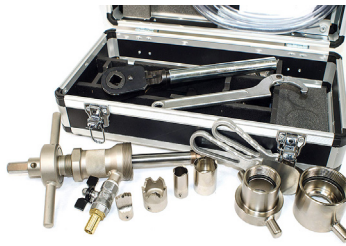


CEDEC EQUIPMENT Under pressure drilling kit

REFERENCE SPECIFICATIONS

Grid	Water
Drilling accessory:	Cedec branch tee
	Cedec PE branch tee
	Cedec connector
	Premium Simple and Plus branch tee



Applications

Cedec equipment is used for installation of Cedec branch tees and Cedec connectors. They include all necessary elements for drilling ductile iron, asbestos cement, polyethylene and PVC-O pipes.

Equipment box

Equipment box is made of PVC layered board, anodized aluminium edge protection and lock with key. The inside is divided into compartments for correct equipment storage.

Drilling tool

Drilling tool is completely manufactured of hardened steel. The compact design of this drilling tool makes it ideal for use in places with restricted accessibility. It comes with drain valve for emptying shavings produced along the drilling operation.

Operating of the drilling tool

Drilling tool is designed to be operated by means of a ratchet wrench, which is supplied with the equipment, or power operated by means of electric, pneumatic or hydraulic motor.

Cutter

Every equipment is supplied with drills and drill bits for ductile iron, asbestos cement, polyethylene and PVC-O pipes. All cutters incorporate the exclusive Torre octagonal shaft anchoring system. Cutters for PE and PVC-O are special "zero chips" design, collecting all shaving/chips produced by the cutting operation.

Equipment maintenance

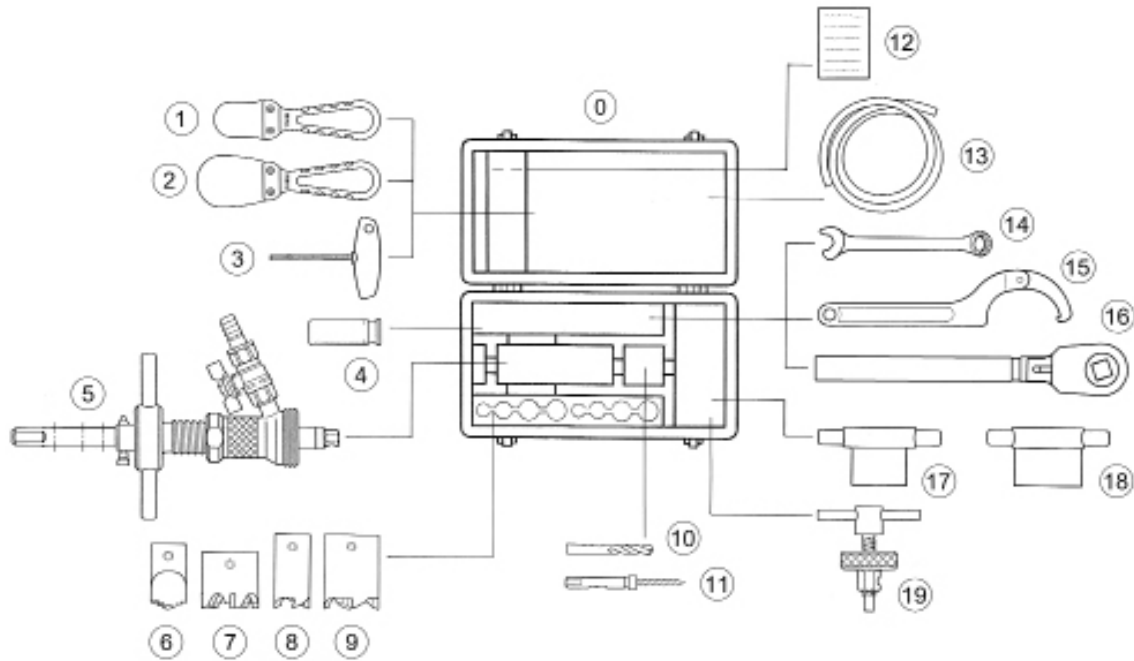
Although these equipment do not require any special maintenance, it is advisable to clean and lubricate the drilling tool from time to time. It is also recommended to dry the equipment after each use to avoid limescale deposits, and is also advisable to carry out a check every two years in the factory.

Spare parts

All components of the Cedec equipment can be purchased separately as spare parts.

CEDEC EQUIPMENT Under pressure drilling kit

Technical data



CEDEC EQUIPMENT COMPONENTS - 2112 C 03

Nº, NAME, REFERENCES AND UNITS

Nº	NAME	REFERENCE	UNT.	Nº	NAME	REFERENCE	UNT.
0	Cedec tool box	2110 C 02	1	8	1" Cutter PE/PVC (25/32)	2385 PEC 23	1
1	1" Spatula (25/32)	1256	1	9	1½" Cutter PE/PVC (40/50)	2385 PEC 37	1
2	1½" Spatula (40/50)	1258	1	10	Centering drill 6,3 mm diam.	2385 B 6	2
3	3 mm T-handle hex key	1657	1	11	Retaining screw for PVC	2385 T 4	2
4	Spare parts box:		1	12	Check list	--	1
	- Pin with elastic ring	1093	1	13	Drainage hose (2 meters)	8721	1
	- Elastic ring for pin	1108	2	14	19 Combination grip wrench	1940	1
	- O-ring (21 x 3)	JT21X3	2	15	50-80 Hook spanner	1651	1
	- Stainless steel stud bolts	--	12	16	17 mm Ratchet wrench	2481 D	1
5	Drilling tool 4 positions	1961	1	17	25/32 Coupling	1045	1
6	1" Integral drill	2385 B 24	1	18	40/50 Coupling	1044	1
7	1½" Cutter FDW	2385 FDW 38	1	19	15 Core extractor PE/PVC	1042	1

EQUIPMENT WEIGHT: 11Kg

